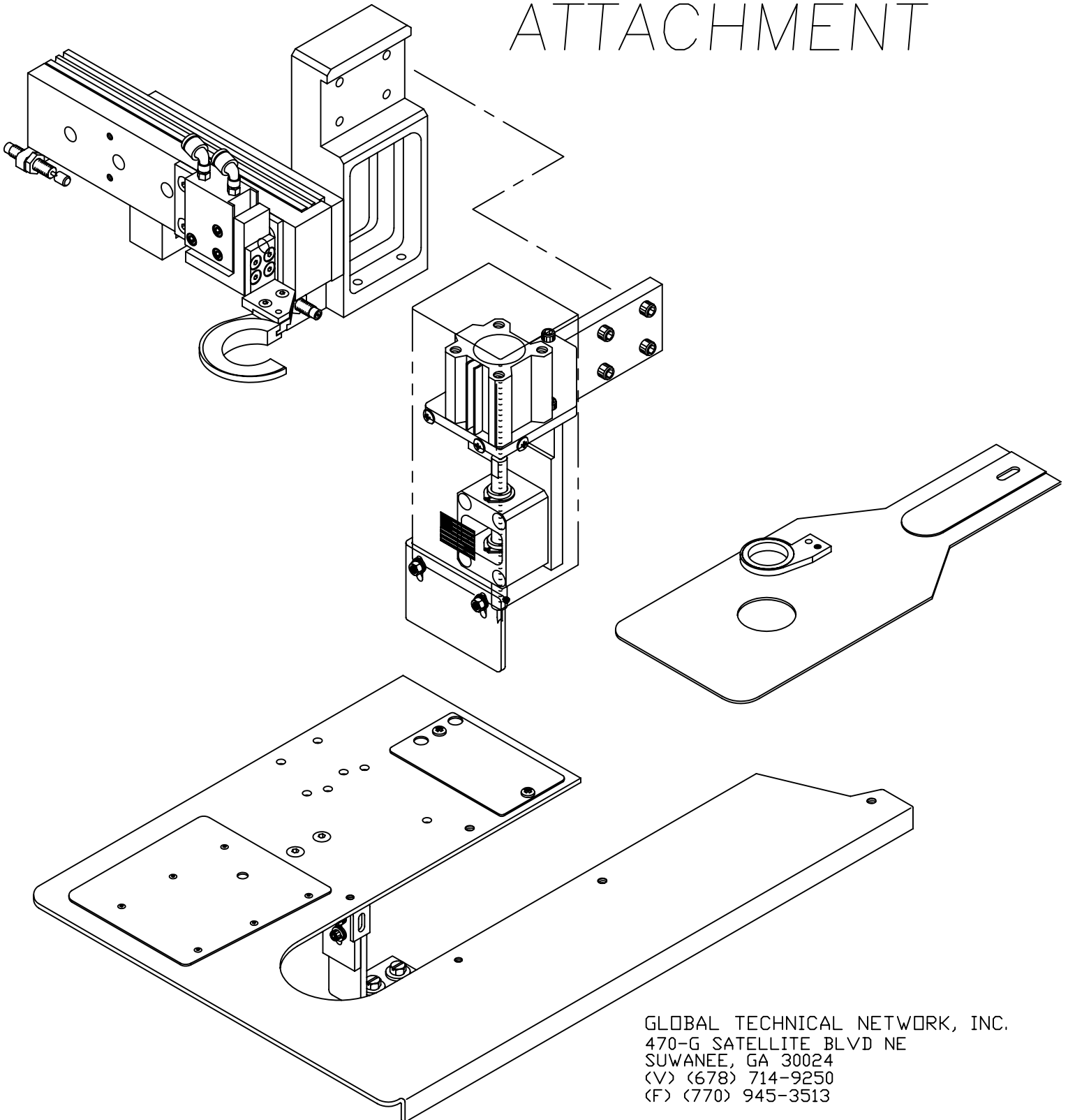




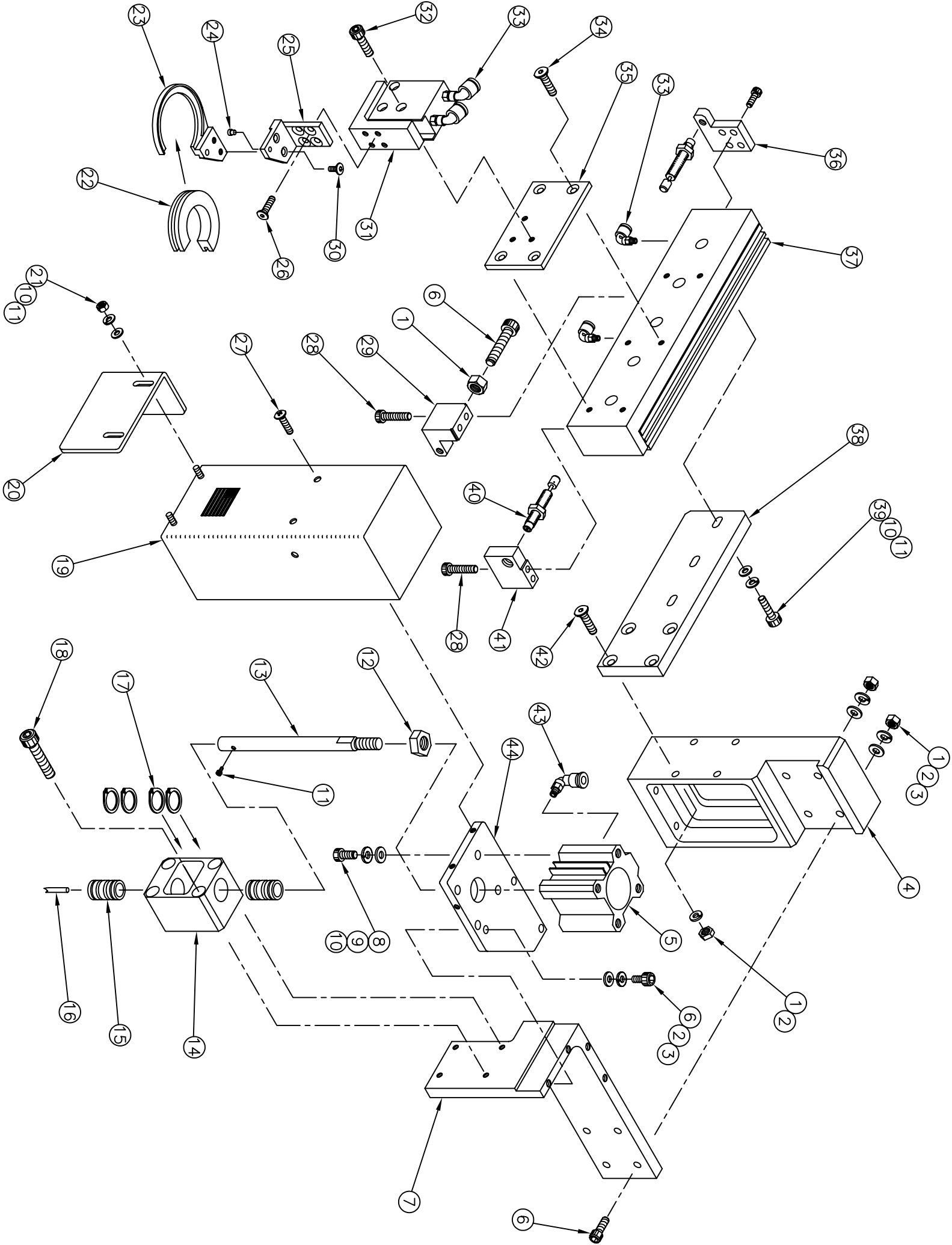
GTN, INC.

# GTN233 EYELET ATTACHMENT



GLOBAL TECHNICAL NETWORK, INC.  
470-G SATELLITE BLVD NE  
SUWANEE, GA 30024  
(V) (678) 714-9250  
(F) (770) 945-3513

MADE in USA

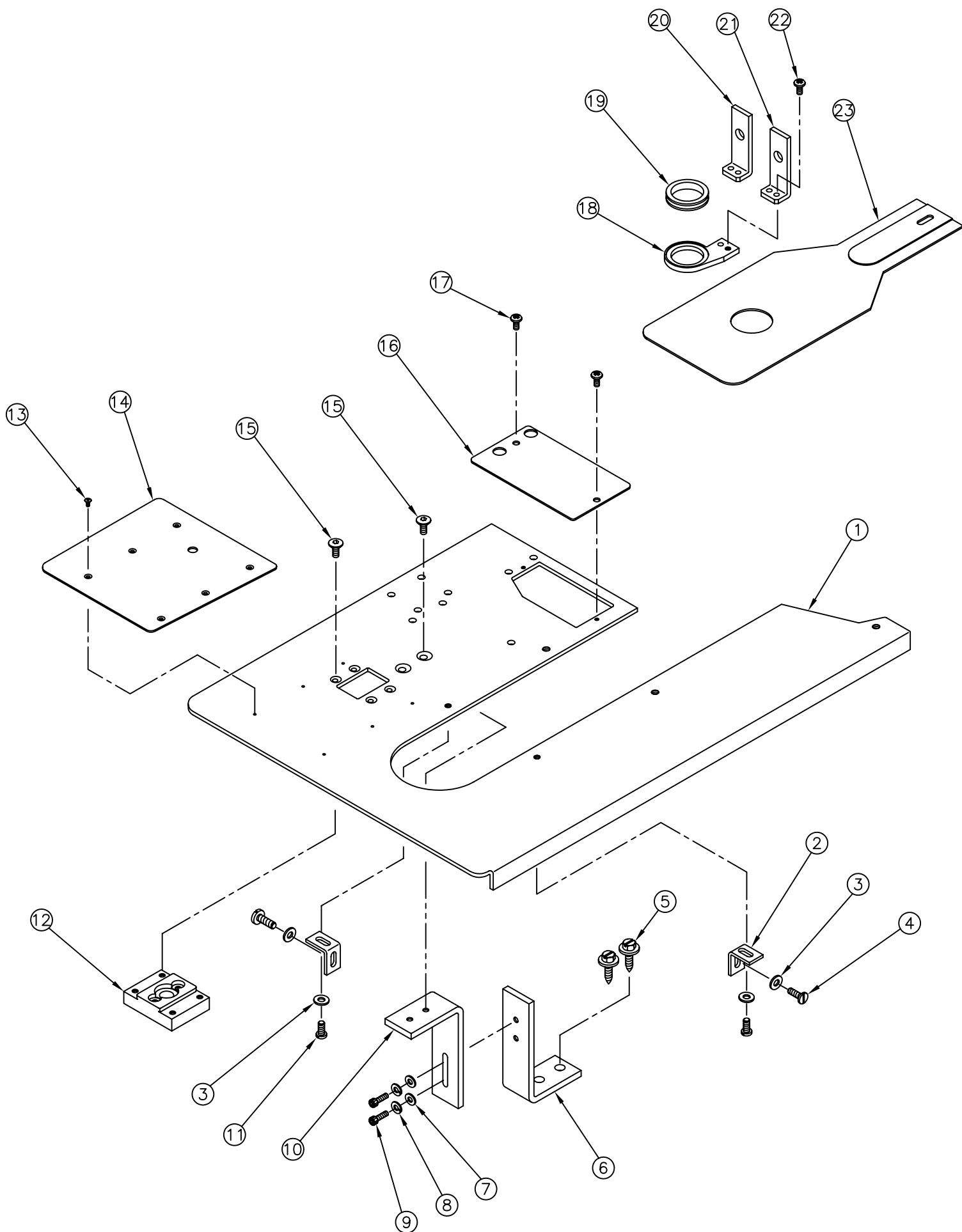


# PUNCH ASSEMBLY

---

ITEM	PART No	DESCRIPTION	QTY
1	NM6050001SC	NUT, HEX M5	9
2	WS0510002KN	WSHR, LOCK M5	8
3	WP0531001SC	WSHR, FLAT M5	11
4	WS0310002KP	WSHR, LOCK M3	11
5	G002327	CYLINDER, GTN233 PUNCH	1
6	SM6052502TP	SCRW, SHCS M5 x 25	7
7	G002319	ANGLE, PUNCH CYL MTG	1
8	SM6062002TP	SCRW, SHCS M6 x 20	4
9	WS0610002KN	WSHR, LOCK M6	4
10	WP641601SC	WSHR, LOCK M6	4
11	SM6030602TP	SCRW, SHCS M3 x 6	1
12	NM6080003SC	NUT, HEX JAM M8	1
13	G002318	BAR, PUNCH 1/8"	1
14	G002316	MOUNT, PUNCH BAR BUSHING	1
15	G002333	BRG, LINEAR 3/8"	2
16	0412085C	PUNCH, EYELET	1
17	G002345	RING, RETAINING /8"	4
18	SM6043002TP	SCRW, SHCS M4 x 30	4
19	G002343	COVER, GTN233 MAIN	1
20	G002344	COVER, GTN233 ADJ	1
21	NM6040001SC	NUT, HEX M4	2
22	G002370	GROMMET, TRANSFER CLAMP	1
23	G002367	CLAMP, TRANSFER	1
24	B1816280000	PIN, GUIDE	1
25	G002365	ANGLE, TRANSFER CYL CLAMP MTG	1
26	SM1041202TP	SCRW, FSHCS M4 x 12	4
27	SM6040610SC	SCRW, Pn Hd M4 x 6	3
28	SM6041402TP	SCRW, SHCS M4 x 14	4
29	A006140	BLOCK, ADJ STOP	1
30	SM1040802TP	SCRW, FSHCS M4 x 8	2
31	A005793	CYL, AIR 10mm GUIDED	1
32	SM6042002TP	SCRW, SHCS M4 x 20	3
33	JW000001	FTG, ELBOW #10-32 x 5/32" T	4
34	SM1041002TP	SCRW, FHSCS M4 x 10	4
35	G002366	PLATE, HORIZ / VERT CYL ADAPTOR	1
36	A005791	ASM, CYL RETRACT SHOCK	1
37	A005789	CYL, AIR 100mm S	1
38	G002317	MOUNT, TRANSFER CYLINDER	1
39	SM6041602TP	SCRW, SHCS M4 x 16	3
40	G002381	SHOCK, CYL EXTEND	1
41	A006141	BLOCK, EXTEND SHOCK MNT	1
42	SM1052502TP	SCRW, FHSCS M5 x 25	4
43	G8L06900001	FTG, ELBOW 1/8" NPT x 6mm T	2
44	G002315	MOUNT, PUNCH CYLINDER	1

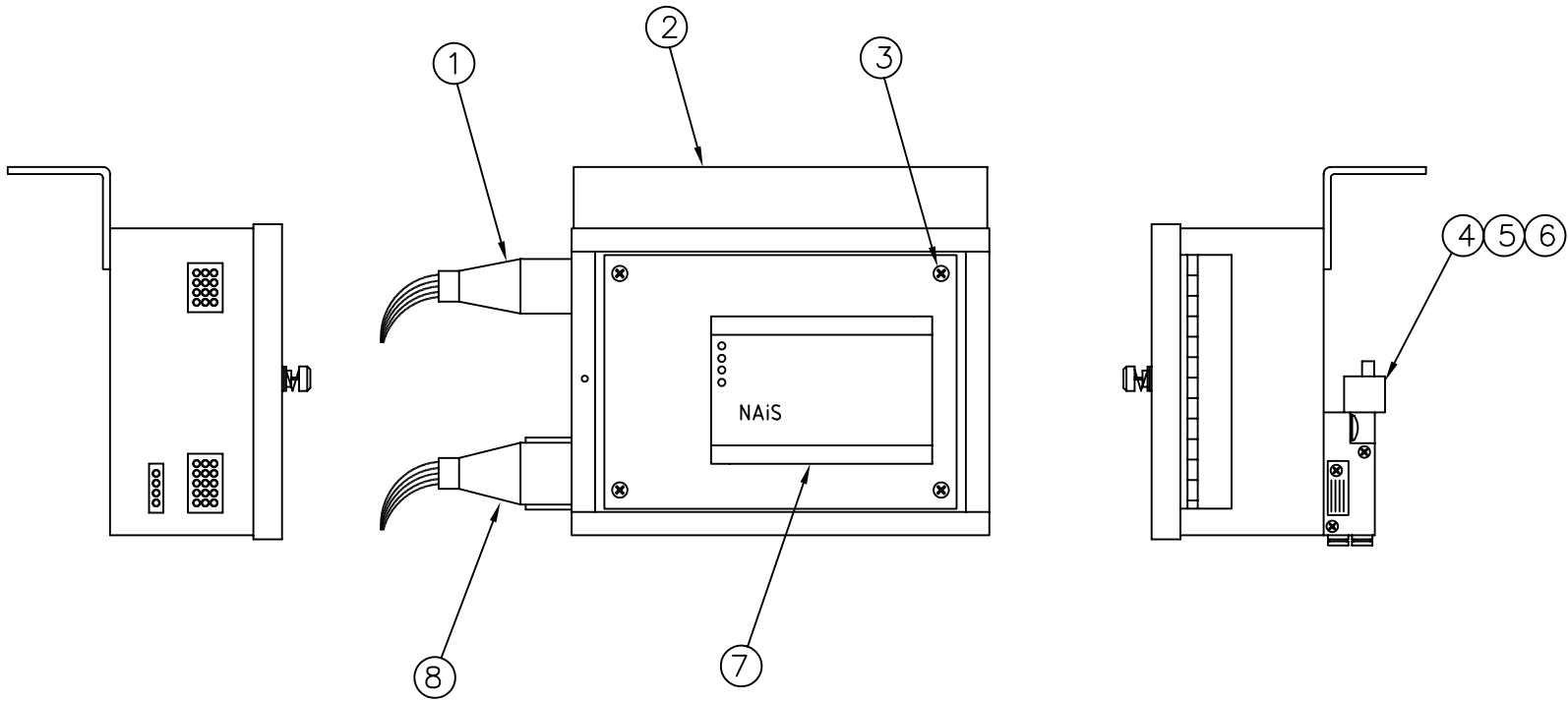
CLOTHPLATE ASSEMBLY



# CLOTHPLATE ASSEMBLY

---

ITEM	PART No	DESCRIPTION	QTY
1	G001998	CLOTHPLATE, GTN233 LK1900A	1
2	G001086	ANGLE, CLOTHPLATE MTG	2
3	WP0520656SA	WSHR, FLAT 5.2 x 9.5	4
4	SS7110840SP	SCRW, PN HD 11/64-40 x 8	2
5	G1011900000	SCRW, HEX WSHR HD #14 x 1 1/4"	2
6	A006329	ANGLE, TABLE / CLTHPLT MTG	1
7	WP0430801SC	WSHR, FLAT M4	2
8	WS0410002KP	WSHR, LOCK M4	2
9	SM6041202TP	SCRW, SHCS M4 x 12	2
10	A006328	ANGLE, CLOTHPLATE MTG	1
11	SS6110610TP	SCRW, 11/64-40 x 6	2
12	G002320	HOUSING, DIE SET	1
13	A005058	SCRW, FHCS M2.5 x 4	6
14	G002380	PLATE, PUNCH GTN233	1
15	SM1041002TP	SCRW, FHSCS M4 x 10	6
16	A006308	COVER, ORIGIN SENSOR	1
17	SM5040602TP	SCRW, SHCS M4 x 6	2
18	G002368	CLAMP, LK1900A EYELET	1
19	0412092	GROMMET, EYELET CLAMP	1
20	G002025	LEG, LK1900A LEFT	1
21	G002026	LEG, LK1900A RIGHT	1
22	SS7110840SP	CLAMP, LK1900A EYELET	1
23	G001137	FEEDPLATE, LK1900A EYELET	1



ITEM	PART No	DESCRIPTION	QTY
	G002411	ASM, CONTROL BOX	1
1	G002624	ASM, OUTPUT CABLE	1
2	A001388	ENCLOSURE, PLC	1
3	SM7040801SL	SCRW, PHL HD M4 x 8	6
4	G002628	ASM, SOLENOID VALVE	1
5	A003757	SCRW, PHL HD M4 x 16	2
6	WP0430800SC	WSHR, FLAT M4	2
7	G001973	PLC, 14 I/O	1
8	G002623	ASM, INPUT CABLE	1